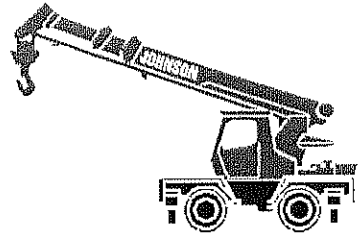


# ROUGH TERRAIN 30t



**JOHNSON**

ARABIA L.L.C.

## GROVE RT530D

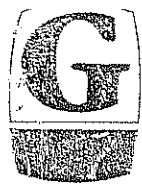


### Postal Address:

P.O. Box 71240, Dubai.  
United Arab Emirates

### Contact Numbers:

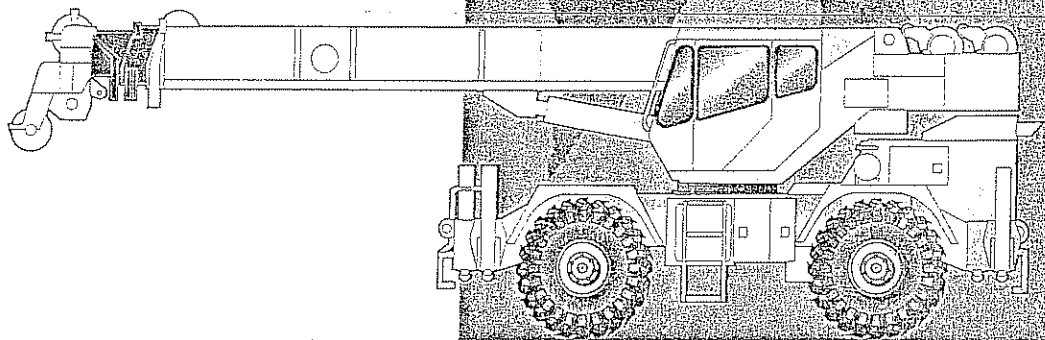
Telephone: +971 4 3471908  
Telefax: +971 4 3474811  
E-mail: [info@jonarabia.ae](mailto:info@jonarabia.ae)



GROVE®  
CRANE

GR5

# RT530D



Rough Terrain Crane  
Grue Tout Terrain

Geländekran  
Grúa Todo Terreno

METRIC

**Weights/Working speeds**  
**Gewichte/Geschwindigkeiten**  
**Poids/Vitesses**  
**Pesos/Velocidades de trabajo**



Axle Achse Essieu Eje	1	2	Total weight Gesamtgewicht Poids total Peso total
i	12.0	13.0	25.0 *

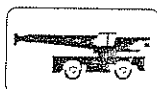
\* incl. 7.6 m Swingoway, incl. 7.6 m Klappspitze, incl. extension treillis 7.6 m, incl. plumin de 7.6 m






Lifting Capacity Traglast Force de levage Capacidad de elevación	Sheaves Rollen Pulies Poleas	Parts of line Stränge Brins Ramales de cable	Weight Gewicht Poids Peso
30 t	4	2-8	272 kg
13.6 t	2	2-6	172 kg
4.5 t	H/B	1	68 kg



+








	1	2	3	4	5	6	7	8	R1	R2	R3	R4	
km/h	4.2	5.8	8.0	11.4	15.9	22.0	30.0	39.0	4.2	5.8	8.0	11.4	74%
	20.5 x 25												

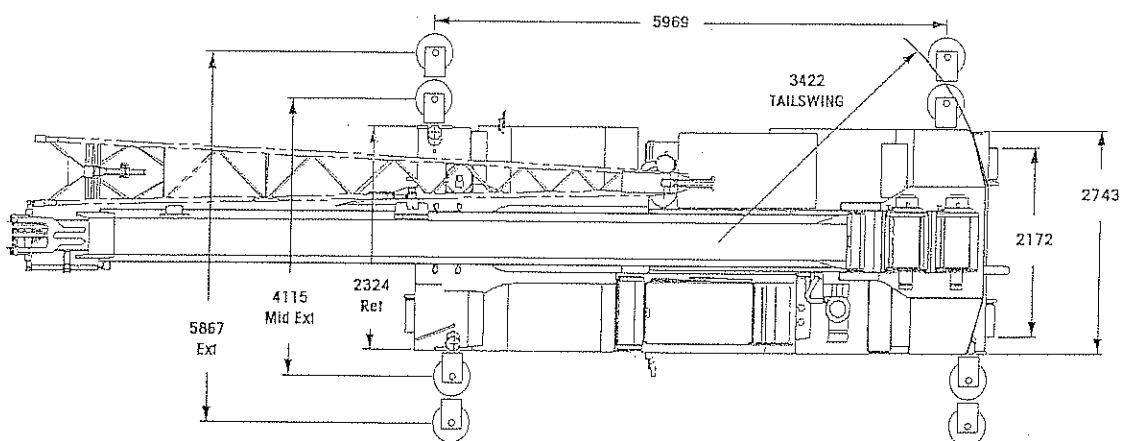
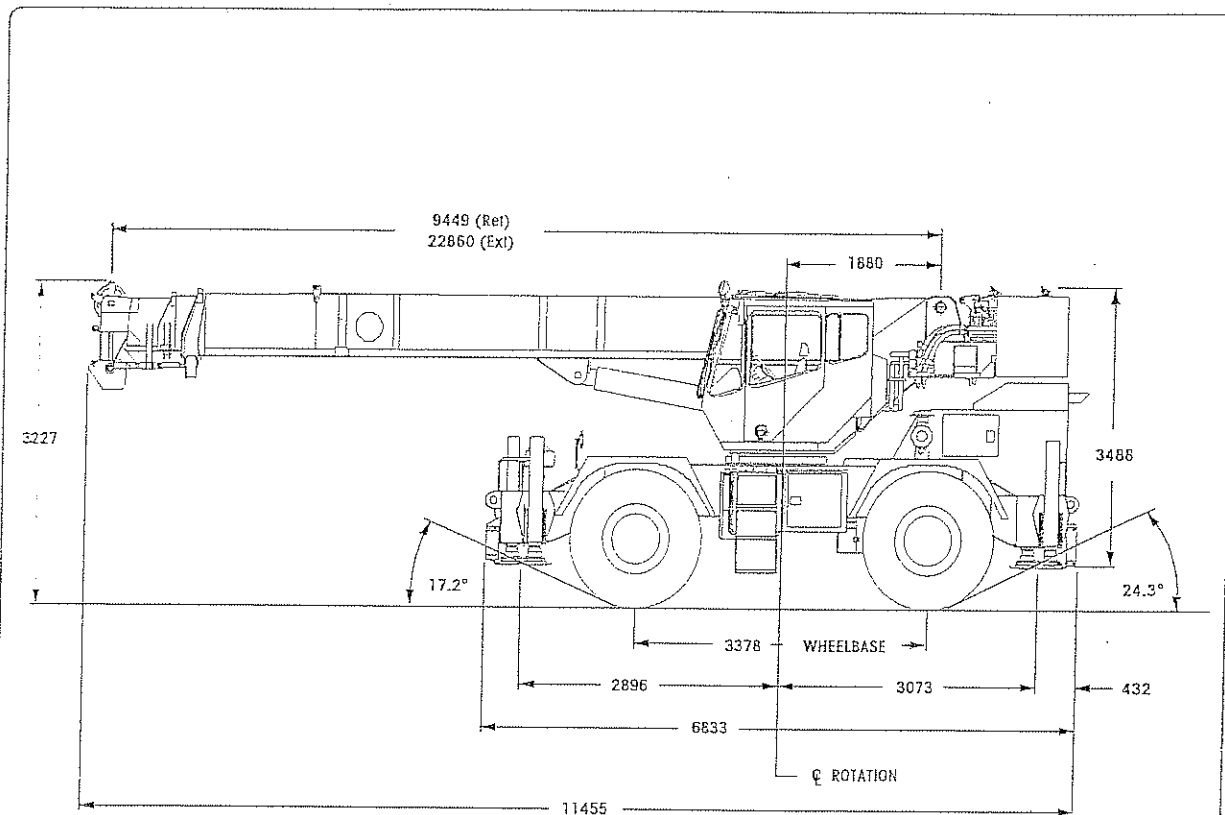


+



	Infinitely variable stufenlos progressivement variable infinitamente variable	Rope Seil Câble Cable	Max. permissible line pull Maximal zulässige Seilzugkraft Effort maximum autorisé sur brin simple Potencia máxima admisible por remal
	0 - 137 m/min single line für einfachen Strang ou brin simple remal simple	16 mm/137 m	4118 kg
	0 - 137 m/min single line für einfachen Strang ou brin simple remal simple	16 mm/137 m	4118 kg
	0 - 3.0 min <sup>-1</sup>		
	20° to + 70° approx. 28 s ca. 28 s env. 28 s aproximadamente 28 s		
	9.5 m to 22.9 m approx. 69 s ca. 69 s env. 69 s aproximadamente 69 s		

Dimensions  
 Abmessungen  
 Encombremment  
 Dimensiones



TURNING RADIUS / WENDERADIUS / RAYON DE BRAQUAGE / RADIO DE GIRO: 5537

Working range  
Arbeitsbereiche  
Portée flèche  
Gama de trabajo



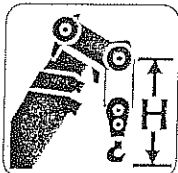
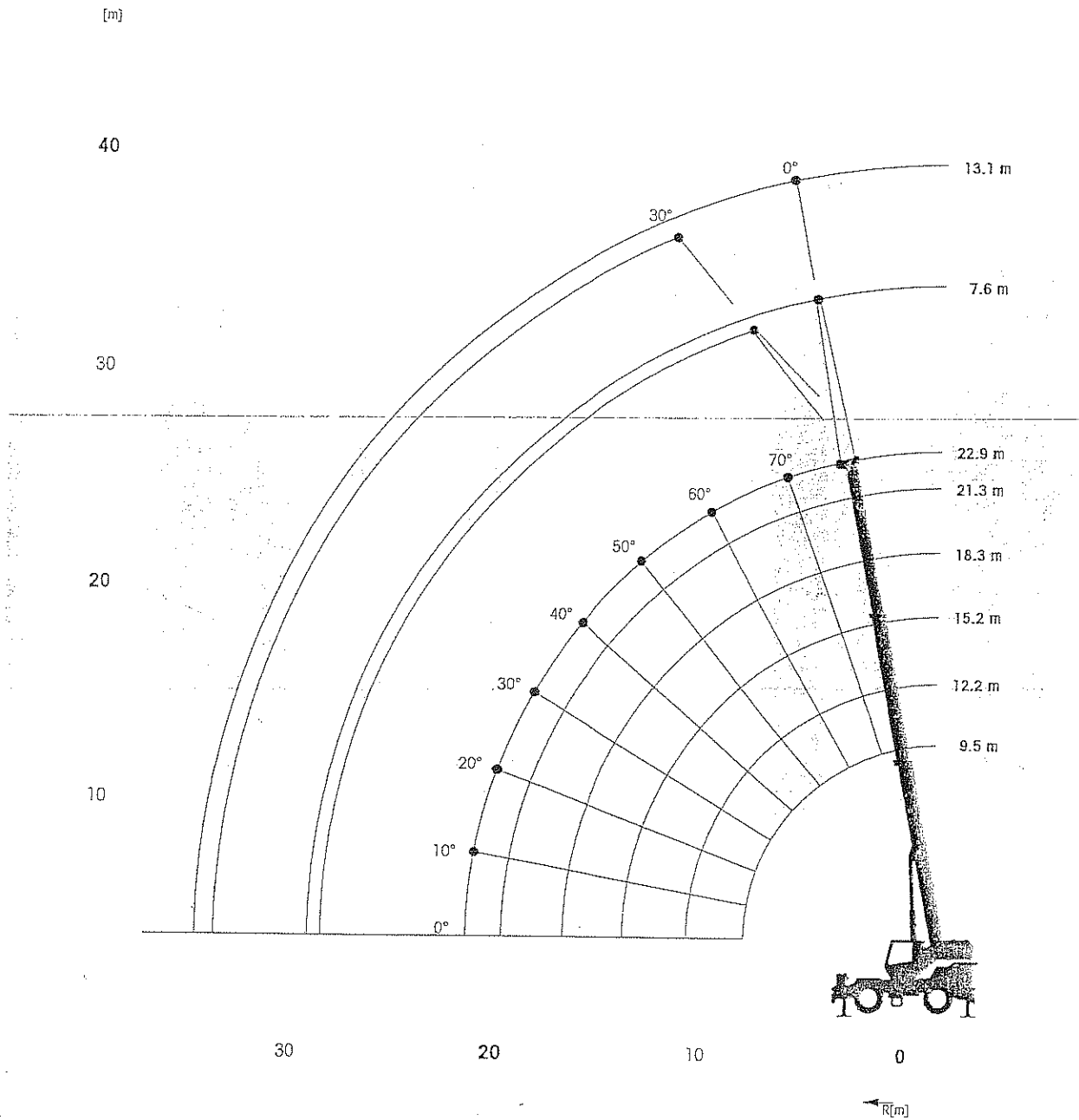
9.5 - 22.9 m



7.6 - 13.1 m



360°



Haak bloek • Unterflasche • Crochet-moufle • Gancho  
(!)

	H [mm]
30	2438
13.6	2438
4.5 H/B	2133
—	—

Lifting capacities for telescopic boom / fixed swingaway  
 Traglasten am Teleskopausleger / Klappspitze  
 Capacités de levage à la flèche télescopique / extension treillis  
 Capacidades de elevación con pluma telescópico / plumín fijo



9.5 - 22.9 m



100%



360°



2,540 kg



BS/DIN

m	9.5	12.2	15.2	18.3	21.3	22.9	22.9 +7.6 ext
3.0	30,000	24,425	20,625	16,450			
3.5	24,200	22,725	19,425	16,100			
4.0	22,575	21,150	18,200	16,100			
4.5	20,825	19,800	17,125	15,575	14,050	13,600	
5.0	18,600	18,600	16,200	14,700	13,400	12,550	
6.0	15,250	15,250	14,575	12,900	11,550	10,950	
7.0	12,500	12,500	12,500	11,350	10,275	9,860	6,020
8.0		10,625	10,625	10,200	9,300	8,810	5,365
9.0		8,855	8,855	8,860	8,495	7,800	4,840
10.0		7,350	7,350	7,355	7,355	7,125	4,410
12.0			5,335	5,340	5,340	5,340	3,810
14.0				4,055	4,055	4,055	3,220
16.0				3,165	3,165	3,165	2,820
18.0					2,510	2,510	2,510
20.0						2,010	2,250
22.0							1,865
24.0							1,500
26.0							1,200
28.0							945

A6-829-015137B



85%

m	9.5	12.2	15.2	18.3	21.3	22.9	22.9 +7.6 ext
3.0	30,000	24,425	20,625	16,450			
3.5	24,200	22,725	19,425	16,100			
4.0	22,575	21,150	18,200	16,100			
4.5	20,825	19,800	17,125	15,575	14,550	13,600	
5.0	18,600	18,600	16,200	14,700	13,400	13,225	
6.0	15,250	15,250	14,575	12,900	12,325	12,325	
7.0	12,500	12,500	12,500	11,350	11,300	11,300	6,800
8.0		10,625	10,625	10,200	10,200	10,200	5,865
9.0		9,090	9,090	9,090	9,050	9,050	5,460
10.0		7,895	7,895	7,895	7,895	7,895	5,070
12.0			5,895	5,895	5,895	5,865	4,460
14.0				4,530	4,530	4,530	4,075
16.0				3,580	3,580	3,580	3,750
18.0					2,885	2,885	3,220
20.0						2,355	2,645
22.0							2,180
24.0							1,790
26.0							1,470
28.0							1,200

A6-829-013069A

Lifting capacities for telescopic boom / fixed swingaway

Traglasten am Teleskopausleger / Klappspitze

Capacités de levage à la flèche télescopique / extension treillis

Capacidades de elevación con pluma telescópico / plumín fijo



9.5 - 22.9 m



50%



360°



2,540 kg



BS/DIN

m	9.5	12.2	15.2	18.3	21.3	22.9	22.9 +7.6 ext
3.0	30,000	24,425	20,625				
3.5	23,925	22,725	19,425	16,450			
4.0	21,450	21,150	18,200	16,100			
4.5	18,850	18,075	17,075	15,575	14,050	13,600	
5.0	15,300	15,300	14,625	13,975	13,350	12,550	
6.0	10,900	10,900	10,900	10,825	10,425	10,225	
7.0	8,285	8,290	8,290	8,295	8,295	8,295	6,020
8.0		6,565	6,565	6,570	6,570	6,570	5,365
9.0		5,360	5,360	5,365	5,365	5,365	4,840
10.0		4,460	4,460	4,465	4,465	4,465	4,410
12.0			3,205	3,210	3,210	3,210	3,660
14.0				2,375	2,375	2,375	2,775
16.0				1,775	1,775	1,775	2,120
18.0					1,330	1,330	1,635
20.0						980	1,255
22.0							950
24.0							705
26.0							500

A6-829-013138A



85%

m	9.5	12.2	15.2	18.3	21.3	22.9	22.9 +7.6 ext
3.0	30,000	24,425	20,625				
3.5	23,925	22,725	19,425	16,450			
4.0	21,450	21,150	18,200	16,100			
4.5	19,075	18,075	17,075	15,575	14,550	13,600	
5.0	16,175	15,375	14,625	13,975	13,350	13,075	
6.0	11,800	11,725	11,250	10,825	10,425	10,225	
7.0	9,030	9,030	9,015	8,715	8,435	8,305	6,800
8.0		7,200	7,200	7,200	6,995	6,895	5,855
9.0		5,920	5,920	5,920	5,905	5,830	5,430
10.0		4,965	4,965	4,965	4,965	4,965	4,995
12.0			3,625	3,625	3,625	3,625	3,835
14.0				2,740	2,740	2,740	3,015
16.0				2,105	2,105	2,105	2,405
18.0					1,630	1,630	1,935
20.0						1,260	1,530
22.0							1,210
24.0							945
26.0							725
28.0							540

A6-829-013135

Lifting capacities for telescopic boom

Traglasten am Teleskopausleger

Capacités de levage à la flèche télescopique

Capacidades de elevación con pluma telescópico



9.5 – 22.9 m



0%



360°



2,540 kg



BS/DIN

m	9.5	12.2	15.2	18.3	21.3	22.9
3.0	15,750	14,800	13,850			
3.5	12,625	12,100	11,450	10,825		
4.0	10,075	10,075	9,680	9,220		
4.5	8,295	8,295	8,295	7,960	7,625	7,465
5.0	6,970	6,970	6,970	6,955	6,685	6,555
6.0	5,145	5,145	5,145	5,145	5,145	5,145
7.0	3,945	3,945	3,945	3,945	3,945	3,945
8.0		3,120	3,120	3,120	3,120	3,120
9.0		2,500	2,500	2,505	2,505	2,505
10.0		2,025	2,025	2,030	2,030	2,030
12.0			1,335	1,340	1,340	1,340
14.0				860	860	860
16.0				515	515	515

AG-829-01313



75%

m	9.5	12.2	15.2	18.3	21.3	22.9
3.0	15,750	14,800	13,850			
3.5	12,625	12,100	11,450	10,825		
4.0	10,075	10,075	9,680	9,220		
4.5	8,295	8,295	8,295	7,960	7,625	7,465
5.0	6,970	6,970	6,970	6,955	6,685	6,555
6.0	5,145	5,145	5,145	5,145	5,145	5,145
7.0	3,945	3,945	3,945	3,945	3,945	3,945
8.0		3,120	3,120	3,120	3,120	3,120
9.0		2,540	2,540	2,540	2,540	2,540
10.0		2,095	2,095	2,095	2,095	2,095
12.0			1,445	1,445	1,445	1,445
14.0				1,000	1,000	1,000
16.0				675	675	675

AG-829-01313



# Lifting capacities for telescopic boom

## Traglasten am Teleskopausleger

## Capacités de levage à la flèche télescopique

## Capacidades de elevación con pluma telescópico



9.5 - 22.9 m



20.5 x 25



360°/0°



2,540 kg



BS/DIN

m	0 kph			< 4 kph		
	9.5	12.2	15.2	9.5	12.2	15.2
	360°			0°		
3.0	11,375	11,375		11,850	11,850	11,850
3.5	9,975	9,975		10,675	10,675	10,675
4.0	8,585	8,585		9,590	9,590	9,590
4.5	7,080	7,085		8,665	8,665	8,665
5.0	5,965	5,970		7,880	7,880	7,880
6.0	4,410	4,415	4,415	6,605	6,605	6,605
7.0	3,380	3,385	3,385	5,625	5,625	5,625
8.0		2,650	2,650		4,845	4,845
9.0		2,095	2,095		4,025	4,025
10.0		1,665	1,665		3,335	3,335
12.0			1,045			2,355

A6-829-013189A

A6-829-013190A



85%

m	0 kph						< 4 kph					
	9.5	12.2	15.2	18.3	21.3	22.9	9.5	12.2	15.2	18.3	21.3	22.9
	360°						0°					
3.0	11,375	11,375					11,850	11,850	11,850			
3.5	9,975	9,975					10,675	10,675	10,675	10,300		
4.0	8,685	8,685					9,590	9,590	9,590	9,590		
4.5	7,610	7,610					8,665	8,665	8,665	8,665		
5.0	6,565	6,565					7,880	7,880	7,880	7,880		
6.0	4,910	4,910	4,785	4,785			6,605	6,605	6,605	6,605	6,485	6,485
7.0	3,820	3,820	3,820	3,820	3,310	3,310	5,625	5,625	5,625	5,625	5,625	5,625
8.0		3,040	3,040	3,040	3,040	3,040		4,845	4,845	4,845	4,845	4,845
9.0		2,450	2,450	2,450	2,450	2,450		4,215	4,215	4,215	4,215	4,215
10.0		1,990	1,990	1,990	1,990	1,990		3,695	3,695	3,695	3,695	3,695
12.0			1,330	1,330	1,330	1,330			2,725	2,725	2,725	2,725
14.0				875	875	875				1,580	1,580	1,580
16.0				540	540	540				1,180	1,180	1,180
14.0											865	865
16.0												610

A6-829-013186

A6-829-013187

m	0 kph					
	9.5	12.2	15.2	18.3	21.3	22.9
	0° (±6°)					
3.0	13,800	13,800				
3.5	12,375	12,375				
4.0	11,050	11,050				
4.5	9,980	9,980				
5.0	9,070	9,070				
6.0	7,615	7,615	7,480	7,480		
7.0	6,510	6,510	6,510	6,510	5,895	5,895
8.0		5,460	5,460	5,460	5,460	5,460
9.0		4,500	4,500	4,500	4,500	4,500
10.0		3,765	3,765	3,765	3,765	3,765
12.0			2,725	2,725	2,725	2,725
14.0				2,020	2,020	2,020
16.0				1,510	1,510	1,510
18.0					1,125	1,125
20.0						820

A6-829-013185

Lifting capacities for telescopic swingaway  
 Traglasten Teleskopklappspitze  
 Capacités de levage à l'extension télescopique  
 Capacidades de elevación para plumín telescópico



m	* 7.6		22.9		13.1	
	0°	30°	0°	30°	0°	30°
6.0	6,800					
7.0	6,340					
8.0	5,865					
9.0	5,440	2,220	2,955			
10.0	5,070	2,165	2,630			
12.0	4,460	2,040	2,435			
14.0	3,535	1,940	2,130			
16.0	3,110	1,855	1,890		1,120	
18.0	2,525	1,785	1,700		1,045	
20.0	1,975	1,730	1,540		995	
22.0	1,540	1,560	1,415		945	
24.0	1,190	1,210	1,305		910	
26.0	895		1,215		880	
28.0	650		1,135		855	
30.0			1,070		840	
32.0			885			
34.0			680			
			505			

A6-S29-013195B



m	* 7.6		22.9		13.1	
	0°	30°	0°	30°	0°	30°
6.0	6,800					
7.0	6,340					
8.0	5,865					
9.0	5,440	2,220	2,955			
10.0	5,070	2,165	2,630			
12.0	4,460	2,040	2,435			
14.0	4,075	1,940	2,130			
16.0	3,690	1,855	1,890		1,120	
18.0	2,930	1,785	1,700		1,045	
20.0	2,755	1,730	1,540		995	
22.0	1,880	1,695	1,415		945	
24.0	1,505	1,505	1,305		910	
26.0	1,200		1,215		880	
28.0	940		1,135		855	
30.0			1,070		840	
32.0			1,010			
34.0			935			
			750			

A6-S29-013070A

\* 7.6 m capacities are also applicable to fixed length offsettable swingaway. 7,6 m Traglasten gelten auch für starr, abwinkelbare Klappspitze.

Les capacités de levage sur extension treillis de 7,6 m sont aussi applicables à l'extension treillis inclinable, non télescopique. Las capacidades de este plumín de 7,6 m, son también aplicables al plumín de longitud fija no angulable.

Lifting capacities for telescopic swingaway  
 Traglasten Teleskopklappspitze  
 Capacités de levage à l'extension télescopique  
 Capacidades de elevación para plumín telescópico



22.9 m



7.6 - 13.1 m



50%



360°



2,540 kg



BS/DIN

22.9

m	* 7.6		13.1	
	0°	30°	0°	30°
6.0	6,800			
7.0	6,340			
8.0	5,860		2,955	
9.0	5,440	2,220	2,630	
10.0	4,720	2,165	2,435	
12.0	3,560	2,040	2,130	
14.0	2,460	1,940	1,890	1,120
16.0	1,820	1,840	1,700	1,045
18.0	1,320	1,345	1,540	995
20.0	940	960	1,380	945
22.0	690	650	1,050	910
24.0			785	805
26.0			565	585

A6-829-013198B



85%

22.9

m	* 7.6		13.1	
	0°	30°	0°	30°
6.0	6,800			
7.0	6,340			
8.0	5,860		2,955	
9.0	5,440	2,220	2,630	
10.0	4,720	2,165	2,435	
12.0	3,560	2,040	2,130	
14.0	2,740	1,940	1,890	1,120
16.0	2,130	1,855	1,700	1,045
18.0	1,650	1,650	1,540	995
20.0	1,240	1,245	1,415	945
22.0	910	915	1,265	910
24.0	650	650	1,015	880
26.0			805	805
28.0			610	610

A6-829-013197A

\* 7.6 m capacities are also applicable to fixed length / adjustable swingaway / 7.6 m Traglasten gelten auch für starre, abwinkelbare Klappspitze.  
 Les capacités de levage à l'extension réglable de 7.6 m sont aussi applicables au plumín de longueur fixe non angulaire.  
 Las capacidades de este plumín de 7.6 m, son también aplicables al plumín de longitud fija no angular.

*Symbols Glossary*  
*Symbolerklärungs*  
*Glossaire des symboles*  
*Glosario de simbolos*

*Notes*  
*Hinweise*  
*Notes*  
*Notas*



Axle load  
 Achslast  
 Charge à l'essieu  
 Carga por eje



Auxiliary hoist  
 Hilfshubwerk  
 Treuil auxiliaire  
 Cabrestante auxiliar



Boom  
 Ausleger  
 Flèche  
 Pluma



Hookblock  
 Hakenflasche  
 Moufle  
 Gancho



Boom elevation  
 Wippwerk  
 Relevage  
 Elevación de pluma



Lattice extension  
 Gitterspitze  
 Extension treillis  
 Extensión de celosía



Boom telescoping  
 Teleskopieren  
 Téliscopage de flèche  
 Telescopaje de pluma



Outriggers  
 Abstützung  
 Calage  
 Estabilizadores



Counterweight  
 Gegengewicht  
 Contrepoids  
 Contrapeso



Radius  
 Ausladung  
 Portée  
 Radio



Crane functions  
 Kranbewegungen  
 Mouvements de la grue  
 Funciones de la grúa



Slewing/Working range  
 Drehwerk/Arbeitsbereich  
 Orientation/Rayon  
 d'opération  
 Giro/Gamma de trabajo



Crane travel  
 Fahrstellung  
 Déplacement de la grue  
 Grúa en traslado



Travel speed  
 Fahrgeschwindigkeit  
 Vitesse de déplacement  
 Velocidad de desplazamiento



Free on wheels  
 Freistehend  
 Sur pneus  
 Sobre neumáticos



Speed  
 Geschwindigkeit  
 Vitesse  
 Velocidad



Gear  
 Gang  
 Rapport  
 Cambio



Low range  
 Kleinste Übersetzung  
 Gamme basse  
 Marchas cortas



Gradeability  
 Steigfähigkeit  
 Aptitude en pente  
 Superación de pendientes



Tyres  
 Bereifung  
 Pneumatiques  
 Neumáticos



Main hoist  
 Haupthubwerk  
 Treuil principal  
 Cabrestante principal

*Lifting capacities for telescopic boom*  
*Traglasten am Teleskopausleger*  
*Capacités de levage à la flèche télescopique*  
*Capacidades de elevación con pluma telescópico*



9.5 – 22.9 m



16.00 x 25



360°/0°



2,540 kg



BS/DIN

m	0 kph			< 4 kph		
	9.5	12.2	15.2	9.5	12.2	15.2
		360°			0°	
3.0	12,725			14,300	14,300	
3.5	9,815	9,810		12,825	12,825	12,350
4.0	7,860	7,855		11,475	11,475	11,475
4.5	6,465	6,460	6,470	10,325	10,325	10,325
5.0	5,415	5,420	5,420	9,350	9,350	9,350
6.0	3,950	3,955	3,955	7,775	7,775	7,775
7.0	2,970	2,975	2,975	6,220	6,225	6,225
8.0		2,120	2,290		4,900	4,900
9.0		1,730	1,790		3,840	3,840
10.0		1,415	1,405		3,320	3,320
12.0			640			2,350

A6-829-013151A

A6-829-013152A



85%

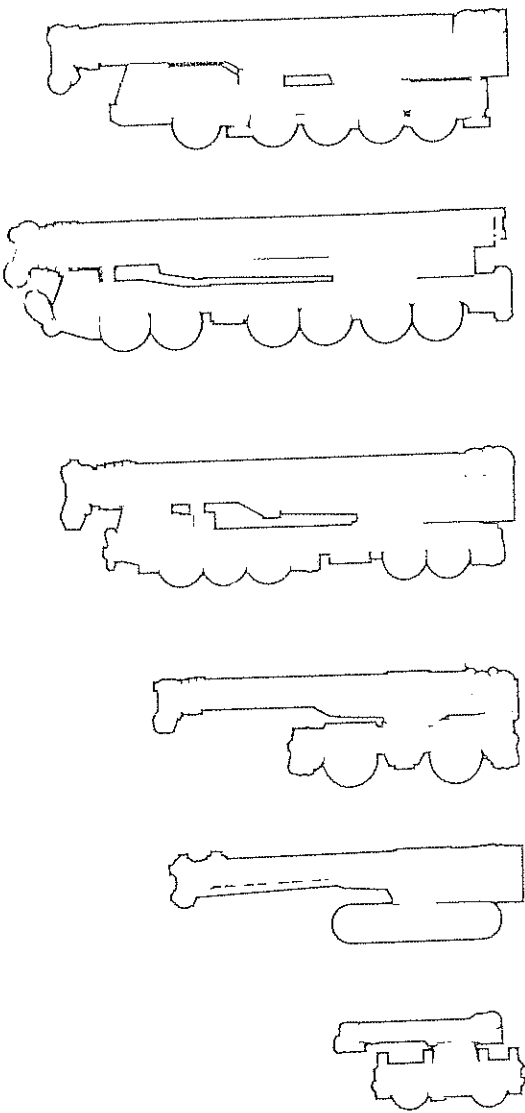
m	0 kph						< 4 kph					
	9.5	12.2	15.2	18.3	21.3	22.9	9.5	12.2	15.2	18.3	21.3	22.9
			360°							0°		
3.0	13,000						14,300	14,300				
3.5	10,650	9,910					12,825	12,825	12,350			
4.0	8,580	8,580					11,475	11,475	11,475			
4.5	7,095	7,095	6,915				10,325	10,325	10,325			
5.0	5,980	5,980	5,980				9,350	9,350	9,350			
6.0	4,425	4,425	4,425	4,300			7,775	7,775	7,775	7,645	7,645	
7.0	3,385	3,385	3,385	3,385	2,895	2,895	6,555	6,555	6,555	6,555	6,555	5,870
8.0		2,655	2,655	2,655	2,655	2,655		5,430	5,430	5,430	5,430	5,430
9.0		2,125	2,125	2,125	2,125	2,125		3,840	3,840	3,840	3,840	3,840
10.0		1,715	1,715	1,715	1,715	1,715		3,350	3,350	3,350	3,350	3,350
12.0			1,115	1,115	1,115	1,115			2,590	2,590	2,590	2,590
14.0				705	705	705				2,020	2,020	2,020
16.0										1,515	1,515	1,515
14.0											1,135	1,135
16.0												835

A6-829-013148

A6-829-013149

m	0 kph					
	9.5	12.2	15.2	18.3	21.3	22.9
			0° (-6°)			
3.0	13,900					
3.5	12,900	12,575				
4.0	11,900	11,900				
4.5	10,950	10,950	10,800			
5.0	10,075	10,075	10,075			
6.0	8,505	8,505	8,505	8,345		
7.0	6,835	6,835	6,835	6,835	5,870	5,870
8.0		5,430	5,430	5,430	5,430	5,430
9.0		4,480	4,480	4,480	4,480	4,480
10.0		3,750	3,750	3,750	3,750	3,750
12.0			2,720	2,720	2,720	2,720
14.0				2,020	2,020	2,020
16.0				1,515	1,515	1,515
18.0					1,135	1,135
20.0						835

A6-829-013147



**GROVE**<sup>®</sup>  
worldwide

**Grove Worldwide – World Headquarters**  
**Grove North America**  
 1565 Buchanan Trail East  
 P.O. Box 21  
 Shady Grove, Pennsylvania 17256, U.S.A.  
 Tel: [Int + 1] (717) 597-8121  
 Fax: [Int + 1] (717) 597-4062  
 Western Hemisphere, Asia/Pacific

**Grove Europe Limited\***  
 Sunderland SR4 6TT, England  
 Tel: [Int + 44] 191 565-6281  
 Fax: [Int + 44] 191 564-0342  
 Europe, Africa, Middle East

**Grove Europe Limited\***  
 P.O. Box No. 268  
 4A Kimber Road  
 Abingdon, Oxfordshire, OX14 1SG  
 Tel: [Int + 44] 1235 55-3184  
 Fax: [Int + 44] 1235 55-3218  
 \*Grove Europe Limited, Registered in England.  
 Number 1845128. Registered office: Crown Works,  
 Pallion, Sunderland, Tyne & Wear, England SR4 6TT

**Deutsche Grove GmbH**  
**Sales and Service**  
 Helmholtzstrasse 12, Postfach 5026  
 D-40750 Langenfeld, Germany  
 Tel: [Int + 49] (2173) 8909-0  
 Fax: [Int + 49] (2173) 8909-30

**Wilhelmshaven Works**  
 Industriegelände West, Postfach 1853  
 D-26358 Wilhelmshaven, Germany  
 Tel: [Int + 49] (4421) 294-0  
 Fax: [Int + 49] (4421) 294-301

**Grove France S.A.**  
 16, chaussée Jules-César, 95520 OSNY  
 B.P. 203, 95523 CERGY PONTOISE CEDEX  
 France  
 Tel: [Int + 33] (1) 30313150  
 Int: [Int + 33] (1) 30386085

**Grove Asia/Pacific - Regional Office**  
 171 Chin Swee Road  
 #06-01 San Centre  
 Singapore 0316  
 Tel: [Int + 65] 536-6112  
 Fax: [Int + 65] 536-6119  
 Asia/Pacific, Near East

**Grove China - Representative Office**  
 Beijing Suite  
 No. 33 East Chang An Avenue  
 Beijing, 100004, China  
 Tel: [Int + 86] (10) 513-7766  
 Fax: [Int + 86] (10) 513-7307

**Grove Product Support**  
 Western Hemisphere, Asia/Pacific  
 1086 Wayne Avenue  
 Chambersburg, Pennsylvania USA  
 Tel: [Int + 1] (717) 263-5100  
 Fax: [Int + 1] (717) 267-0404

Europe, Africa, Middle East  
 Sunderland SR4 6TT, England  
 Tel: [Int + 44] 191 565-6281  
 Parts Fax: [Int + 44] 191 510-9242  
 Service Fax: [Int + 44] 191 510-4560

<http://www.grovetworldwide.com>

Constant improvement and engineering progress make it necessary that we reserve the right to make specifications, equipment, and price changes without notice. Illustrations shown may include optional equipment and accessories and may not include all standard equipment.

Wir verbessern unsere Produkte ständig und integrieren den technischen Fortschritt. Aus diesem Grund behalten wir uns das Recht vor, die technischen Daten, die Ausstattungsdetails und die Preise unserer Maschinen ohne Vorankündigung zu ändern.

Du fait de sa politique d'amélioration constante de ses produits liée au progrès technique, la Société se réserve le droit de procéder sans préavis à des changements de spécifications, d'équipement ou de prix. Les illustrations peuvent représenter des équipements ou accessoires optionnels ou ne pas comporter des équipements standards.

El perfeccionamiento constante y el avance tecnológico hacen necesario que la empresa se reserve el derecho de efectuar cambios en las especificaciones, equipo y precios sin previo aviso. En las ilustraciones se puede incluir equipo y accesorios opcionales y es posible que no se muestre el equipo normal.

Distributed By: