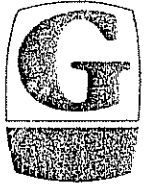
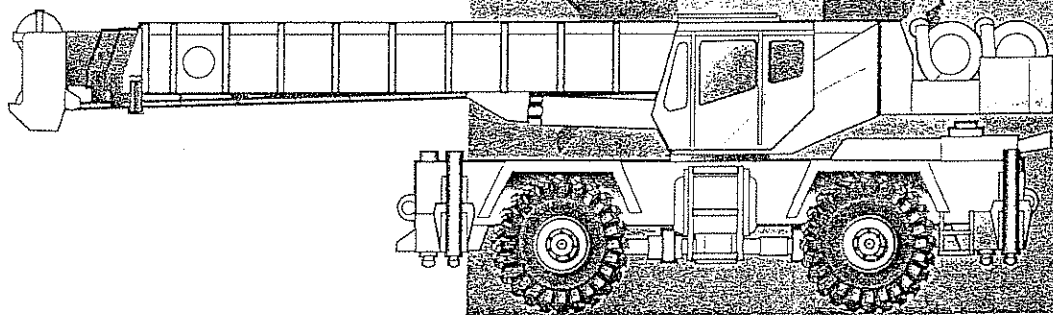


GR 9



GROVE[®]
CRANE

RT640C



Rough Terrain Crane

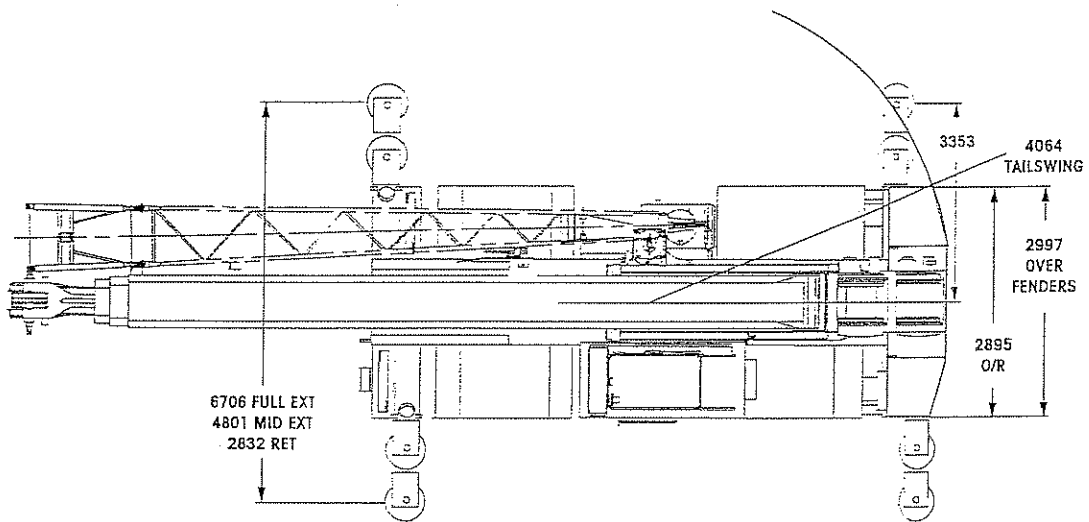
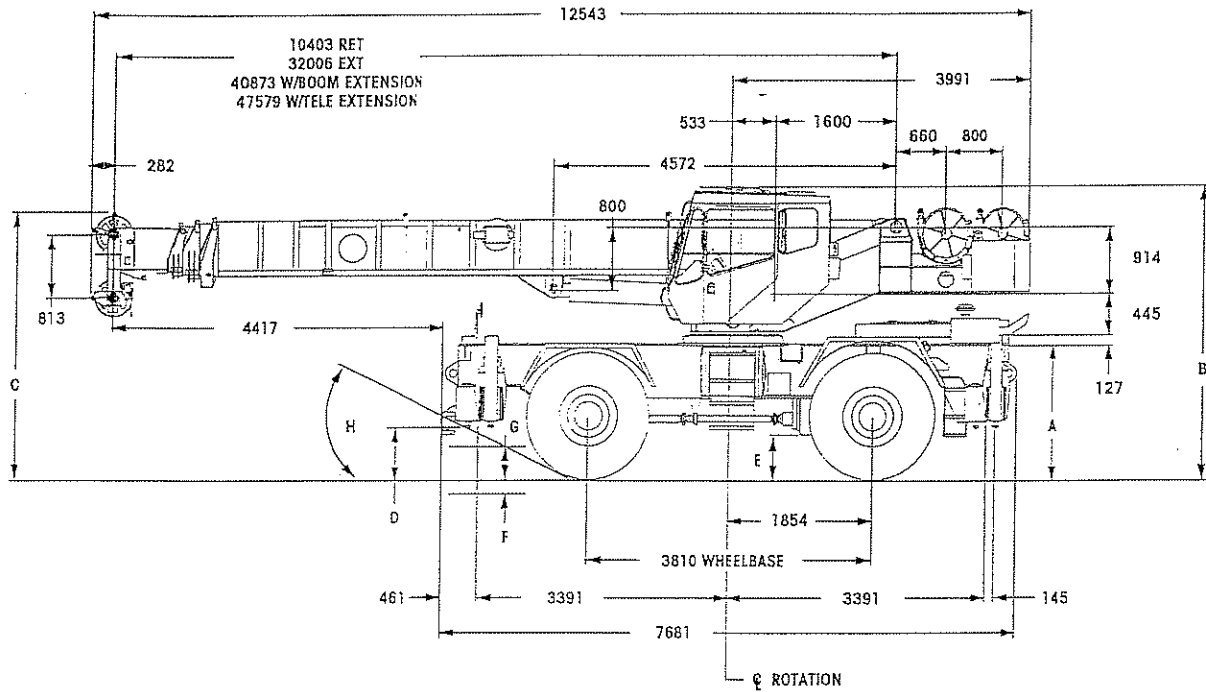
Geländekran



Grue Tout Terrain

Grúa Todo Terreno

METRIC

Dimensions
Abmessungen
Encombrement
Dimensiones



	 23.5 R25	 26.5 x 25
A	1631	1661
B	3645	3715
C	3323	3353
D	553	413
E	464	495
F	146	387
G	387	248
H	24.5°	20°
TURNING RADIUS / WENDERADIUS / RAYON DE BRAQUAGE / RADIO DE GIRO: 6096		

Working range
Arbeitsbereiche
Portée flèche
Gama de trabajo



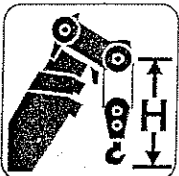
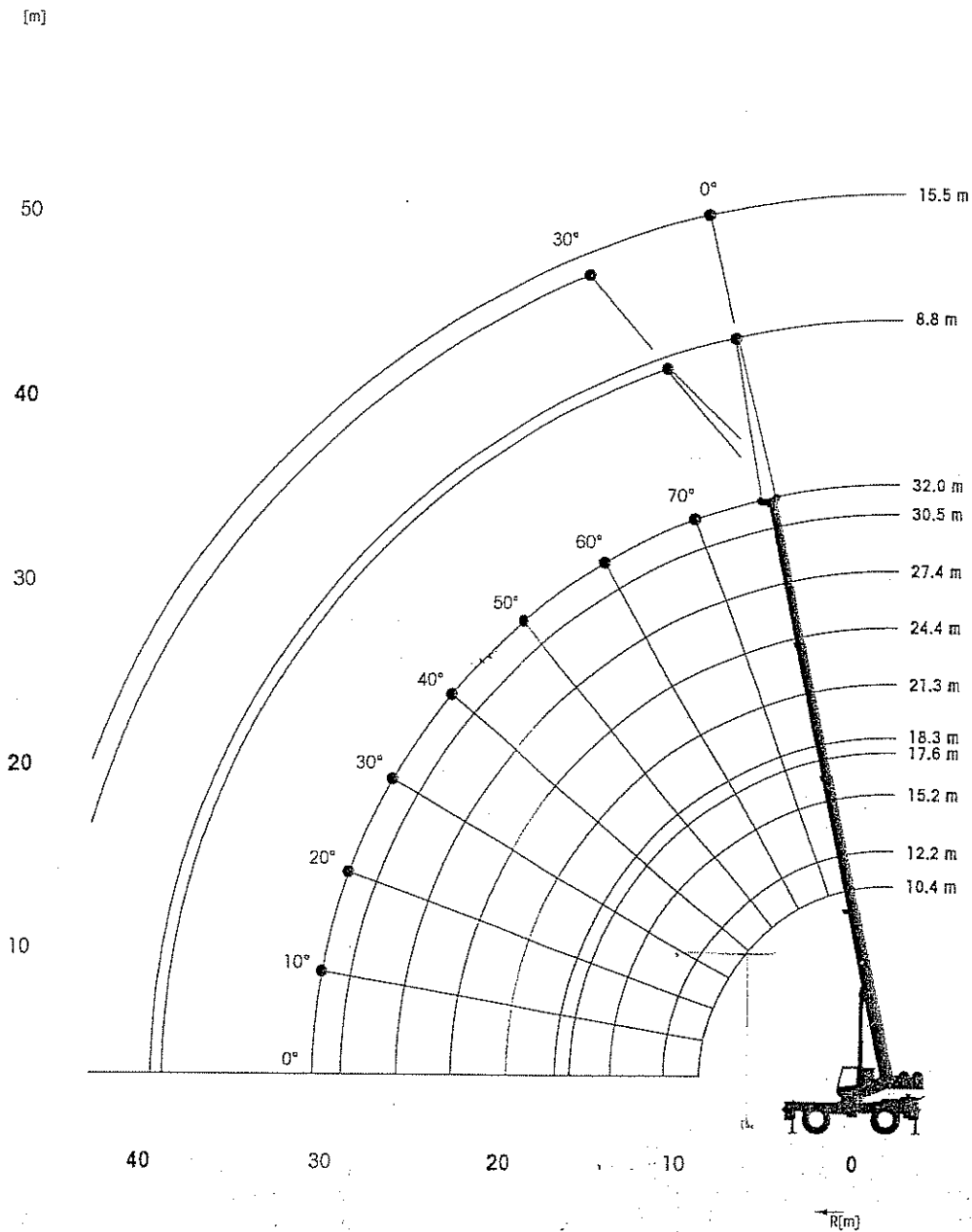
10.4 - 32.0 m



8.8 - 15.5 m



360°



Hook block • Unterflasche • Crochet-moufle • Gancho

(t)

40

H

(mm)

2134

35

2134

13.6

2023

9.1 H/B

1676

6.8 H/B

1676

Lifting capacities for telescopic boom
Traglasten am Teleskopausleger
Capacités de levage à la flèche télescopique
Capacidades de elevación con pluma telescópica



10.4 - 32.0 m



100%



360°



2,620 kg



BS/DIN

m	10.4	12.2	15.2	17.6	18.3	21.3	24.4	27.4	30.5	32.0
3.0	40,000	30,000	26,600	20,225	13,275					
3.5	30,000	29,600	24,175	20,225	13,275					
4.0	29,225	27,975	22,200	19,450	13,275	13,275				
4.5	27,100	26,400	20,475	18,100	13,275	13,275				
5.0	25,200	24,600	19,025	16,550	13,275	13,275	13,275			
6.0	21,175	20,950	16,425	14,375	13,275	13,275	13,100	12,250		
7.0	17,825	17,625	14,475	12,700	12,650	11,950	11,375	10,725	8,410	7,185
8.0	14,050	14,825	12,850	11,200	11,225	10,525	10,100	9,660	8,185	7,185
9.0		11,650	11,350	10,025	9,985	9,455	9,080	8,560	7,555	7,185
10.0		9,350	9,160	8,965	9,005	8,570	8,080	7,840	7,025	6,810
12.0			6,285	6,135	6,215	6,575	6,715	6,450	6,150	5,915
14.0				4,370	4,440	4,765	5,090	5,225	4,975	4,830
16.0					3,245	3,535	3,825	3,970	4,115	4,185
18.0						2,655	2,905	3,055	3,195	3,265
20.0							2,210	2,355	2,500	2,565
22.0							1,665	1,805	1,950	2,015
24.0								1,385	1,515	1,575
26.0									1,155	1,210
28.0									855	905

A6-629-015850



85%

m	10.4	12.2	15.2	17.6	18.3	21.3	24.4	27.4	30.5	32.0
3.0	40,000	30,000	26,600	20,225	13,275					
3.5	30,000	29,600	25,400	20,225	13,275					
4.0	29,225	27,975	23,800	20,225	13,275	13,275				
4.5	27,100	26,400	22,000	18,975	13,275	13,275				
5.0	25,200	24,600	20,350	17,925	13,275	13,275	13,275			
6.0	21,175	20,950	17,675	16,400	13,275	13,275	13,275	12,250		
7.0	17,825	17,625	15,675	14,825	13,275	13,125	12,550	11,200	8,410	7,185
8.0	14,050	15,075	14,125	13,250	13,075	12,275	11,550	10,150	8,185	7,185
9.0		12,700	12,425	11,750	11,600	11,050	10,525	9,315	7,555	7,185
10.0		9,350	10,075	9,890	9,990	9,875	9,625	8,590	7,025	6,810
12.0			7,030	6,885	6,965	7,325	7,695	7,335	6,150	5,915
14.0				5,005	5,080	5,400	5,725	5,865	5,590	5,125
16.0					3,810	4,090	4,385	4,520	4,665	4,490
18.0						3,155	3,410	3,545	3,690	3,760
20.0							2,665	2,805	2,945	3,015
22.0							2,085	2,225	2,365	2,435
24.0								1,770	1,900	1,965
26.0									1,520	1,575
28.0									1,200	1,255

A6-629-015284

Weights/Working speeds
Gewichte/Geschwindigkeiten
Poids/Vitesses
Pesos/Velocidades de trabajo



Axle Achse Essieu Eje	1	2	Total weight Gesamtgewicht Poids total Peso total
t	14.6	14.0	28.6 *

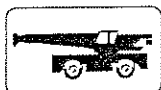
* Incl. telescopic swingaway, Incl. Teleskopklappspitze, incl. extension télescopique, incl. plumin telescópico



Lifting Capacity Traglast Force de levage Capacidad de elevación	Sheaves Rollen Pulies Poleas	Parts of line Stränge Brins Ramales de cable	Weight Gewicht Poids Peso
40 t	3	2 - 7	376 kg
35 t	3	2 - 6	396 kg
13.6 t	1	1 - 3	172 kg
9.1 t	H/B	1	254 kg
6.8 t	H/B	1	153 kg



+



	1	2	3	4	5	6	R1	R2	R3	
km/h	4.0	7.0	10.0	17.0	24.0	39.0	4.0	10.0	24.0	74%
	23.5 R25									



+



	Infinitely variable stufenlos progressivement variable Infinitamente variable	Rope Seil Câble Cable	Max. permissible line pull Maximal zulässige Seilzugkraft Effort maximum autorisé sur brin simple Potencia máxima admisible por ramal
	0 - 177 m/min single line für einfachen Strang ou brin simple ramal simple	19 mm/137 m	5860 kg
	0 - 177 m/min single line für einfachen Strang ou brin simple ramal simple	19 mm/137 m	5860 kg
	0 - 2.5 min ⁻¹		
	-3° to +78°	approx. 29 s ca. 29 s env. 29 s aproximadamente 29 s	
	10.4 m to 32.0 m	approx. 95 s ca. 95 s env. 95 s aproximadamente 95 s	

Lifting capacities for telescopic boom

Traglasten am Teleskopausleger

Capacités de levage à la flèche télescopique

Capacidades de elevación con pluma telescópico



10.4 - 32.0 m



50%



360°



2,620 kg



BS/DIN

m	10.4	12.2	15.2	17.6	18.3	21.3	24.4	27.4	30.5	32.0
3.0	30,000	30,000	26,600	20,225	13,275					
3.5	29,175	29,025	24,175	20,225	13,275					
4.0	27,425	27,225	22,200	19,450	13,275	13,275				
4.5	24,875	24,650	20,475	18,100	13,275	13,275				
5.0	22,175	20,950	19,025	16,550	13,275	13,275	13,275			
6.0	16,050	15,325	14,375	13,650	13,275	13,275	13,100	12,250		
7.0	11,925	11,550	10,925	10,425	10,525	10,625	10,525	10,375	8,410	7,185
8.0	8,800	8,595	8,270	8,005	8,085	8,435	8,625	8,555	8,185	7,185
9.0		6,735	6,495	6,305	6,380	6,705	7,025	7,175	7,130	7,100
10.0		5,430	5,220	5,055	5,125	5,425	5,730	5,965	6,085	6,070
12.0			3,465	3,330	3,395	3,675	3,950	4,150	4,355	4,450
14.0				2,205	2,265	2,525	2,785	2,965	3,145	3,235
16.0					1,480	1,720	1,960	2,125	2,290	2,375
18.0						1,140	1,350	1,500	1,660	1,735
20.0							875	1,020	1,165	1,240
22.0							500	640	780	845
24.0										525

A6-829-013120



85%

m	10.4	12.2	15.2	17.6	18.3	21.3	24.4	27.4	30.5	32.0
3.0	35,000	30,000	26,600	20,225	13,275					
3.5	29,175	29,025	25,400	20,225	13,275					
4.0	27,425	27,225	23,800	20,225	13,275	13,275				
4.5	24,875	24,650	22,000	18,975	13,275	13,275				
5.0	22,175	20,950	19,300	17,925	13,275	13,275	13,275			
6.0	15,975	15,325	14,375	13,650	13,275	13,275	13,175	12,250		
7.0	12,500	12,100	11,200	10,650	10,675	10,625	10,525	10,375	8,410	7,185
8.0	9,660	9,465	9,025	8,575	8,600	8,650	8,625	8,555	8,185	7,185
9.0		7,485	7,255	7,025	7,065	7,165	7,195	7,175	7,130	7,100
10.0		6,100	5,900	5,735	5,805	6,015	6,080	6,095	6,085	6,070
12.0			4,035	3,905	3,970	4,240	4,455	4,515	4,545	4,550
14.0				2,710	2,765	3,020	3,275	3,415	3,465	3,485
16.0					1,935	2,165	2,400	2,560	2,670	2,695
18.0						1,545	1,750	1,900	2,055	2,085
20.0							1,250	1,390	1,535	1,605
22.0							850	980	1,120	1,185
24.0								660	785	845
									505	560

A6-829-012738A

17 E

6m Radius
6m Height.

Lifting capacities for telescopic boom
 Traglasten am Teleskopausleger
 Capacités de levage à la flèche télescopique
 Capacidades de elevación con pluma telescópica



10.4 – 30.5 m



23.5 R25



360°/0°



2,620 kg



BS/DIN

m	0 kph						< 4 kph					
	10.4	12.2	15.2	17.6	18.3	21.3	10.4	12.2	15.2	17.6	18.3	21.3
	360°						0°					
3.0	14,375	14,150					17,300	17,300				
3.5	12,725	12,300	11,575	11,050	11,050		15,650	15,650				
4.0	11,175	10,875	10,375	9,985	9,985		14,100	14,075				
4.5	9,490	9,360	9,065	8,660	8,660		12,775	12,750				
5.0	7,855	7,730	7,530	7,375	7,480		11,675	11,625				
6.0	5,610	5,490	5,295	5,145	5,235	5,645	9,880	9,795	9,650	9,540	9,620	
7.0	4,145	4,025	3,835	3,685	3,770	4,145	8,480	8,375	8,170	7,960	8,070	
8.0	3,115	2,995	2,805	2,655	2,735	3,085	6,810	6,630	6,335	6,110	6,205	
9.0		2,200	2,025	1,890	1,965	2,300		5,200	4,935	4,560	4,875	5,270
10.0		1,580	1,420	1,300	1,375	1,695		4,150	3,950	3,790	3,875	4,225
12.0						815			2,545	2,395	2,465	2,790
14.0										1,465	1,530	1,825
16.0											865	1,130
18.0												620

A6-829-011353B

A6-829-011354B



85%

m	0 kph								< 4 kph									
	10.4	12.2	15.2	17.6	18.3	21.3	24.4	27.4	30.5	10.4	12.2	15.2	17.6	18.3	21.3	24.4	27.4	30.5
	360°								0°									
3.0	14,375	14,150								17,300	17,300							
3.5	12,725	12,300	11,575	11,050	11,050					15,650	15,650							
4.0	11,175	10,875	10,375	9,985	9,985					14,100	14,075							
4.5	9,835	9,585	9,065	8,660	8,660					12,775	12,750							
5.0	8,270	8,125	8,170	7,385	8,310					11,675	11,625							
6.0	6,270	6,160	5,695	5,410	5,710	5,870	5,715			9,880	9,795	9,650	9,540	9,620				
7.0	4,715	4,420	4,095	3,725	4,135	4,175	4,215	4,255		8,480	8,375	8,195	8,055	8,130				
8.0	3,615	3,255	2,990	2,750	2,995	3,395	3,605	3,655		7,370	7,245	7,035	6,860	6,945				
9.0		2,430	2,105	1,960	2,115	2,570	2,750	2,895	2,795		5,695	5,490	4,560	5,400	5,780	6,120		
10.0		1,790	1,435	1,365	1,440	1,915	2,060	2,275	2,275		4,835	3,990	3,870	3,935	4,225	4,510	4,675	4,420
12.0						940	1,035	1,325	1,325			2,915	2,795	2,855	3,125	3,395	3,550	3,705
14.0								640	640				1,920	1,985	2,270	2,555	2,705	2,850
16.0														1,285	1,535	1,785	1,945	2,100
18.0															990	1,210	1,365	1,520
20.0																760	915	1,065
22.0																	555	700

A6-829-011646

A6-829-011647

m	0 kph								
	10.4	12.2	15.2	17.6	18.3	21.3	24.4	27.4	30.5
	0° (±6°)								
3.0	16,700	15,675							
3.5	15,225	14,350	12,825	11,050	11,050				
4.0	13,800	13,025	11,700	10,425	10,425				
4.5	12,575	11,900	9,825	9,785	9,780				
5.0	11,525	10,900	9,665	9,060	9,060				
6.0	9,735	9,250	8,425	7,785	7,785	7,435	6,550		
7.0	8,305	7,920	7,260	6,755	6,755	6,755	6,220	5,100	
8.0	7,135	6,830	6,305	5,900	5,900	5,890	4,835		
9.0		5,855	5,545	5,190	5,190	5,190	4,575	3,665	
10.0		4,740	4,545	4,395	4,475	4,580	4,290	3,485	
12.0			3,055	2,910	2,985	3,300	3,605	3,060	
14.0				1,920	1,985	2,270	2,555	2,635	
16.0					1,285	1,535	1,785	1,945	2,100
18.0						990	1,210	1,635	1,520
20.0							760	915	1,065
22.0								555	700

A6-829-011645

0° = over front, über Vorderkante, sur avant, por la parte frontal

Lifting capacities for telescopic swingaway
 Traglasten Teleskopklappspitze
 Capacités de levage à l'extension télescopique
 Capacidades de elevación para plumín telescópico



32.0 m



8.8 - 15.5 m



100%



360°



2,620 kg



BS/DIN

m	8.8		32.0		15.5	
	0°	30°	0°	30°	0°	30°
9.0	3,700					
10.0	3,535					
12.0	3,120					
14.0	2,775		2,265		2,295	
16.0	2,495		2,160		2,230	
18.0	2,235		2,040		2,110	
20.0	2,045		1,975		1,905	1,270
22.0	1,885		1,825		1,735	1,230
24.0	1,815		1,685		1,590	1,170
26.0	1,740		1,685		1,465	1,110
28.0	1,630		1,530		1,335	1,070
30.0	1,565		1,555		1,225	1,040
32.0			845		1,130	1,010
34.0			580		1,015	940
					765	785
					550	570

A6-829-011355B



85%

m	8.8		32.0		15.5	
	0°	30°	0°	30°	0°	30°
9.0	4,080					
10.0	3,975					
12.0	3,760		2,265		2,295	
14.0	3,340		2,160		2,230	
16.0	2,970		2,040		2,110	
18.0	2,595		1,975		1,905	1,270
20.0	2,235		1,945		1,735	1,230
22.0	1,925		1,915		1,665	1,170
24.0	1,660		1,770		1,560	1,110
26.0	1,415		1,480		1,505	1,070
28.0	1,210		1,480		1,400	1,040
30.0	925		1,210		1,280	1,010
32.0	665		925		1,115	980
34.0			685		930	975
36.0					875	875
					670	670

A6-829-011341

Lifting capacities for telescopic boom
Traglasten am Teleskopausleger
Capacités de levage à la flèche télescopique
Capacidades de elevación con pluma telescópica



10.4 – 32.0 m



0%



360°



2,620 kg



BS/DIN

m	10.4	12.2	15.2	17.6	18.3	21.3	24.4	27.4	30.5	32.0
3.0	21,925	20,475	18,500	17,225	13,275					
3.5	17,475	16,400	14,925	13,975	13,275					
4.0	14,375	13,525	12,350	11,600	11,550	11,300				
4.5	12,100	11,375	10,425	9,815	9,800	9,670				
5.0	10,350	9,745	8,920	8,400	8,400	8,355	8,245			
6.0	7,675	7,375	6,715	6,105	6,175	6,400	6,390	6,335		
7.0	5,630	5,355	4,895	4,485	4,560	4,885	5,065	5,060	5,030	5,010
8.0	4,000	3,825	3,540	3,315	3,385	3,685	3,985	4,100	4,105	4,100
9.0		2,835	2,625	2,455	2,520	2,805	3,090	3,315	3,380	3,385
10.0		2,135	1,945	1,795	1,860	2,130	2,400	2,610	2,790	2,805
12.0			975	850	905	1,165	1,415	1,600	1,785	1,875
14.0						500	740	910	1,080	1,160
16.0									565	640

A6-829-013130

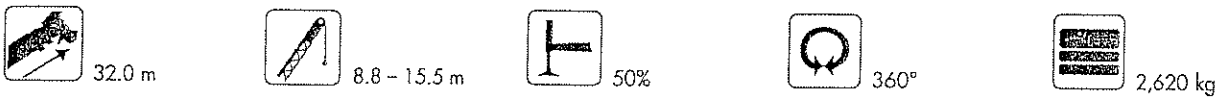


75%

m	10.4	12.2	15.2	17.6	18.3	21.3	24.4	27.4	30.5	32.0
3.0	21,925	20,475	18,500	17,225	13,275					
3.5	17,475	16,400	14,925	13,975	13,275					
4.0	14,375	13,525	12,350	11,600	11,550	11,300				
4.5	12,100	11,375	10,425	9,815	9,800	9,670				
5.0	10,350	9,745	8,920	8,400	8,400	8,355	8,245			
6.0	7,885	7,375	6,715	6,105	6,175	6,400	6,390	6,335		
7.0	5,630	5,355	4,895	4,530	4,595	5,015	5,065	5,060	5,030	5,010
8.0	4,025	3,875	3,630	3,435	3,495	3,985	4,020	4,100	4,105	4,100
9.0		2,945	2,770	2,625	2,685	3,185	3,175	3,350	3,380	3,385
10.0		2,290	2,135	2,005	2,060	2,545	2,530	2,715	2,790	2,805
12.0			1,220	1,120	1,170	1,595	1,610	1,765	1,900	1,925
14.0				515	565	920	980	1,120	1,260	1,290
16.0							520	650	775	810

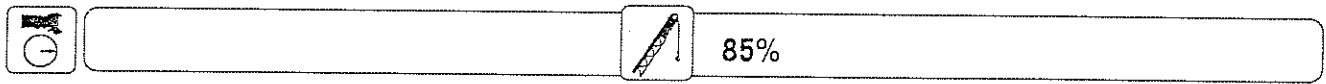
A6-829-012638

Lifting capacities for telescopic swingaway Traglasten Teleskopklappspitze Capacités de levage à l'extension télescopique Capacidades de elevación para plumín telescópico



m	8.8		32.0		15.5	
	0°	30°	0°	30°	0°	30°
9.0	3,700					
10.0	3,535					
12.0	3,120	2,265	2,295	2,230		
14.0	2,775	2,160	2,110	2,110		
16.0	2,340	2,040	1,905	1,905		1,270
18.0	1,755	1,755	1,735	1,735		1,230
20.0	1,290	1,290	1,590	1,590		1,170
22.0	910	910	1,270	1,270		1,110
24.0	560	575	955	955		955
26.0			690	690		690

A6-829-013132



m	8.8		32.0		15.5	
	0°	30°	0°	30°	0°	30°
9.0	4,080					
10.0	3,975					
12.0	3,760	2,265	2,295	2,230		
14.0	3,095	2,160	2,110	2,110		
16.0	2,340	2,040	1,905	1,905		1,270
18.0	1,755	1,755	1,735	1,735		1,230
20.0	1,290	1,290	1,645	1,645		1,170
22.0	910	910	1,270	1,270		1,110
24.0	595	595	955	955		955
26.0			690	690		690

A6-829-012640A

Lifting capacities for fixed length offsettable swingaway

Traglasten für Festlängen abwinkelbare Klappspitze

Capacités de levage sur extension treillis inclinable, non télescopique

Capacidades de elevación para plumín no telescópico, angulable



32.0 m



8.8 m



100%/50%



360°



2,620 kg



BS/DIN

100%



BS/DIN

50%



m	32.0		30°
	0°	8.8	
9.0	3,870		
10.0	3,715		
12.0	3,295		2,430
14.0	2,955		2,325
16.0	2,670		2,205
18.0	2,405		2,140
20.0	2,220		1,990
22.0	2,040		1,850
24.0	1,765		1,735
26.0	1,390		1,405
28.0	1,080		1,095
30.0	815		830
32.0	585		600

A6-829-011549A

m	32.0		30°
	0°	8.8	
9.0	3,870		
10.0	3,715		
12.0	3,295		2,430
14.0	2,955		2,325
16.0	2,615		2,205
18.0	2,035		2,035
20.0	1,565		1,565
22.0	1,155		1,170
24.0	800		815
26.0	505		520

A6-829-013131



85%

100%



85%

50%



m	32.0		30°
	0°	8.8	
9.0	4,245		
10.0	4,140		
12.0	3,925		2,430
14.0	3,505		2,325
16.0	3,135		2,205
18.0	2,760		2,140
20.0	2,400		2,110
22.0	2,080		2,080
24.0	1,825		1,935
26.0	1,580		1,645
28.0	1,380		1,410
30.0	1,160		1,160
32.0	920		920

A6-829-011546

m	32.0		30°
	0°	8.8	
9.0	4,245		
10.0	4,140		
12.0	3,925		2,430
14.0	3,370		2,325
16.0	2,615		2,205
18.0	2,035		2,035
20.0	1,565		1,565
22.0	1,185		1,185
24.0	870		870
26.0	605		605

A6-829-012659A